

## Bano standard cistern

### Care & Maintenance



#### **BANO AS**

Utstillingsplassen 3 6823 Sandane-Norge  
Phone: +47 57 86 98 00  
post@bano.no

1-2

5970-10 Bano standard cistern

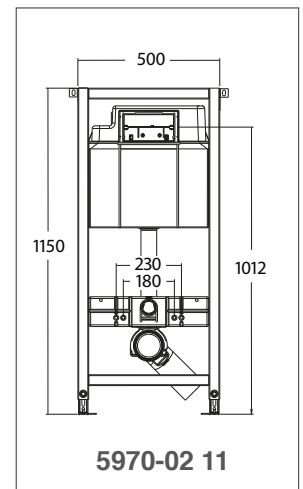
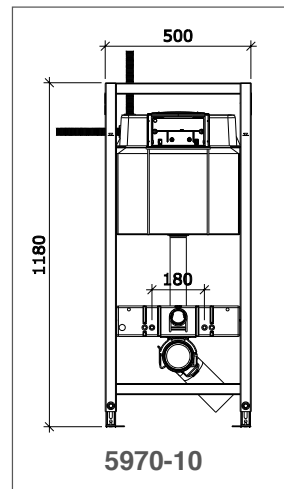
5970-02 11 Bano height adjustable cistern- manual adjust with tools up to 70 mm

### Product information

Bano cistern is a built-in wall bracket toilet.  
The bracket used with 5965 Bano toilet 530 mm or 5975 Bano toilet 700 mm.

The bracket (5970-02 11) adjustable in height 70 mm.

The height adjustment operated by special tools.



## Materialspesifikasjon

**Flush frame:** steel and plastic

Fastening feet is adjustable from 0-190 mm.

The cistern is equipped with sanicontrol with 2 flushing options 6/3 liter (preset) or 9/4, 5 liters.

Front valet pressure plate with condensation protection and saving flushing. Bend in 90 mm execution transition to 110 mm included.

## Care and maintenance

Use a soft cloth or sponge with a mild detergent. Spray the object and wipe with a damp cloth. Cleaners containing alcohol and used in the pharmaceutical industry, is OK.

Other maintenance of moving parts is not necessary, but Bano recommends regular use of height adjustment.

In case that height adjustment does not work, contact Bano for assistance and guidance.

### Warning

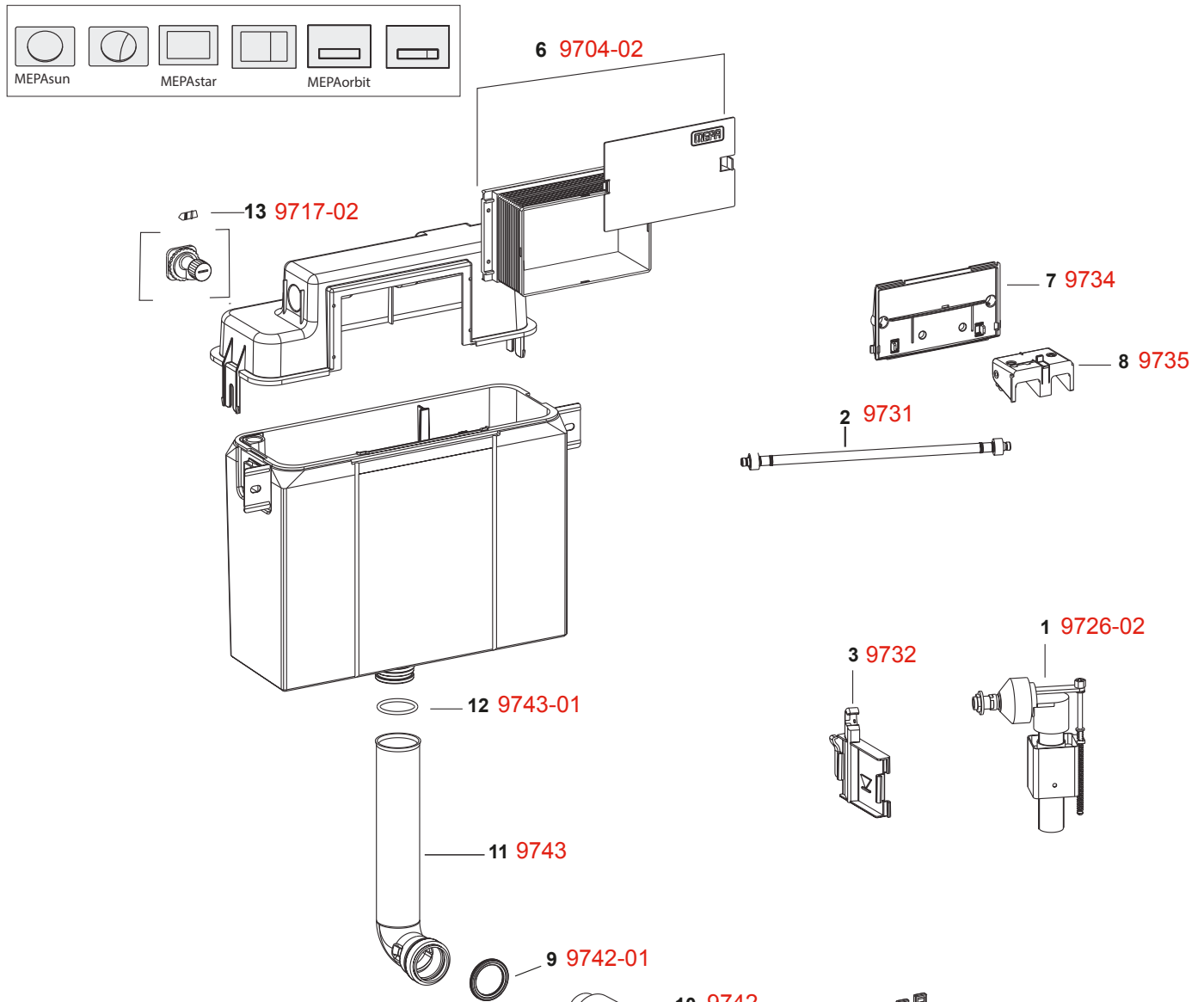
Never use detergents or cleaners that contain harsh chemicals, scouring powder, chlorine, acids, methanol, methylated spirits, white spirit or lynol.

This product can be recycled.

Thank you for taking the time to read these instructions carefully - it is a good investment!

## Bano reservoir parts for built in cistern

Cistern Sanicontrol 6 l start/ stop + dual-flush  
(from 01-2010) - type A31



1	<b>9726-02</b> Bano inlet valve
2	<b>9731</b> Bano reinforced hose
3	<b>9732</b> Bano inlet valve holder
4	<b>9713-02</b> Bano discharge valve, complete
4.1	<b>9733</b> Bano outlet valve, seal
5	<b>9741</b> Bano basket for outlet valve
5.1	<b>9741-01</b> Bano seal for basket outlet valve
6	<b>9704-02</b> Bano service tunnel
7	<b>9734</b> Bano mounting transparent plate
8	<b>9735</b> Bano fixture block for control panel
9	<b>9742-01</b> Bano seal 44mm for outflow pipe
10	<b>9742</b> Bano cover for outflow pipe
11	<b>9743</b> Bano 90 gr. outflow pipe
12	<b>9743-01</b> Bano o-ring till 90 gr. outflow pipe
13	<b>9717-02</b> Bano 1/2" stopcock for cistern