



5970-02 11 Bano height adjustable cistern, manual adjustment

bilde mangler

5970-02 11 Bano height adjustable cistern, manual adjustment



Bano height adjustable cistern, manual adjustment with tools

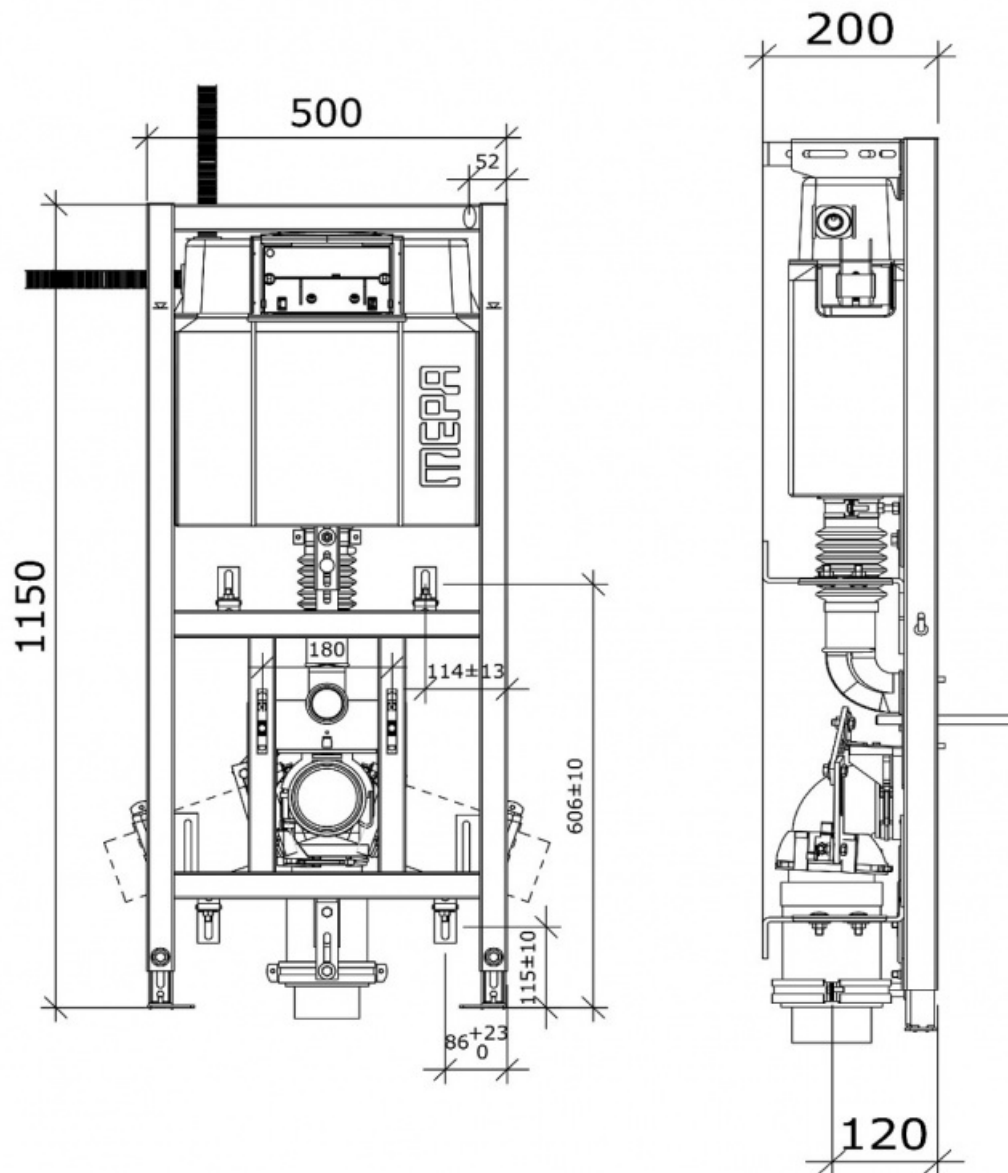
Bano standard cistern flush frame is in steel and plastic. Fastening feet is adjustable from 0-190mm. The cistern is equipped with sanicontrol with 2 flushing options 3/6 liters (preset) or 4,5/7 liters. Front valet pressure plate with condensation protection and saving flushing. Bend in 90mm execution transition to 110mm included.

Load tested up to 500kg.

Materials

- Construction in galvanized steel
- Cover in ABS/ PMMA

5970-02 11 Bano height adjustable cistern, manual adjustment



5970-02 11 Bano height adjustable cistern, manual adjustment